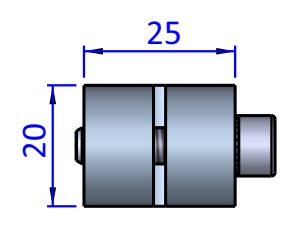
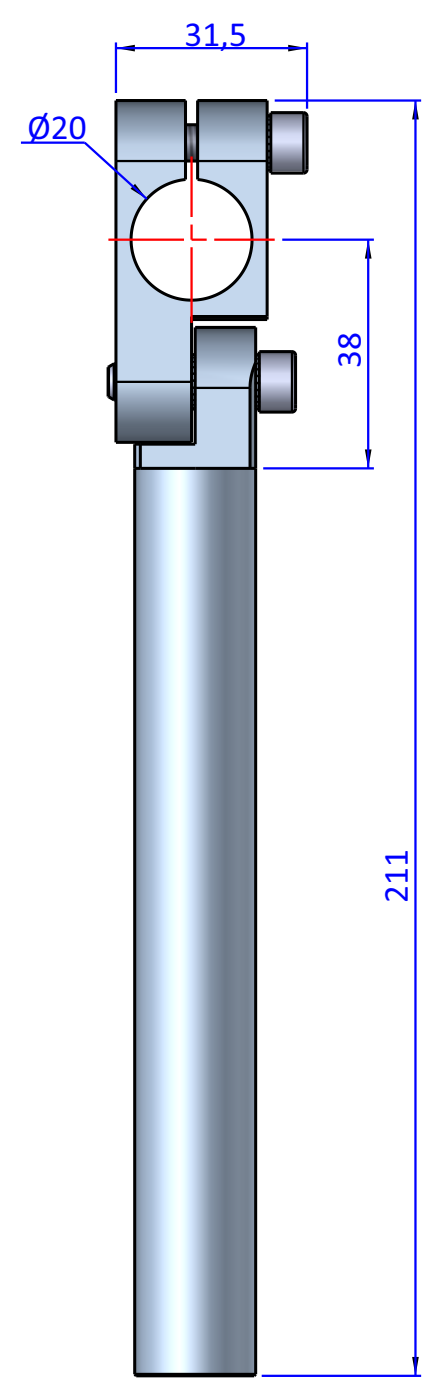
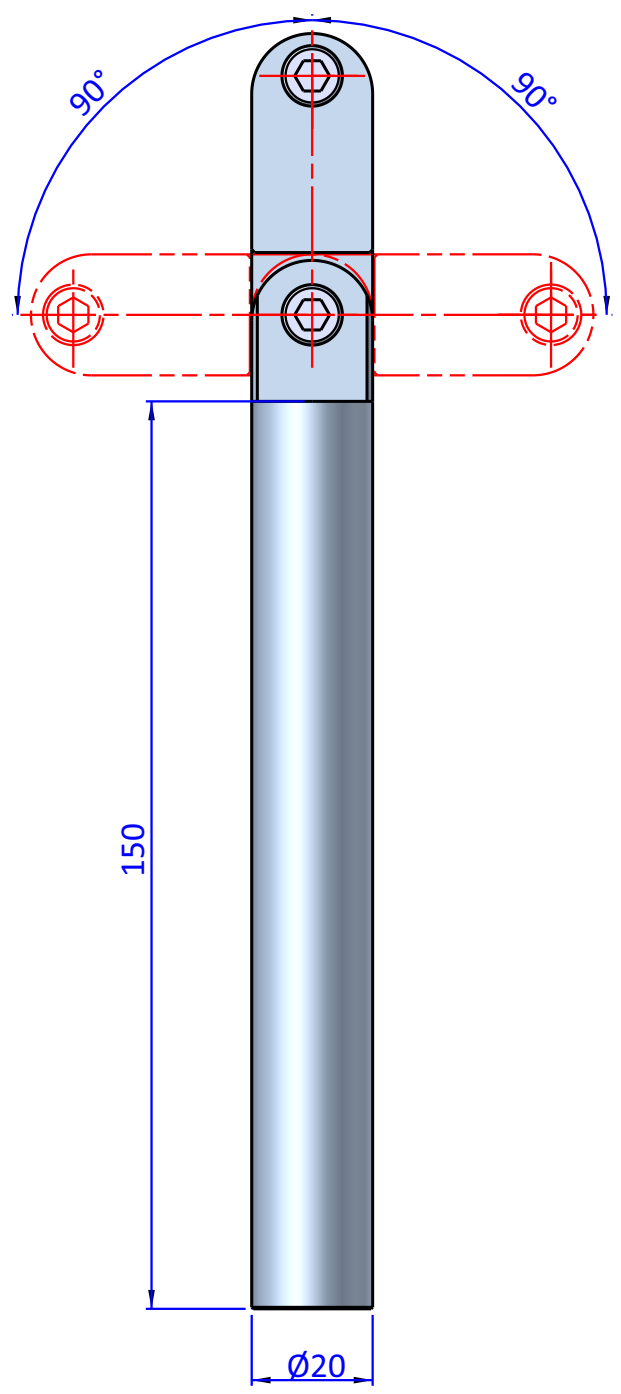
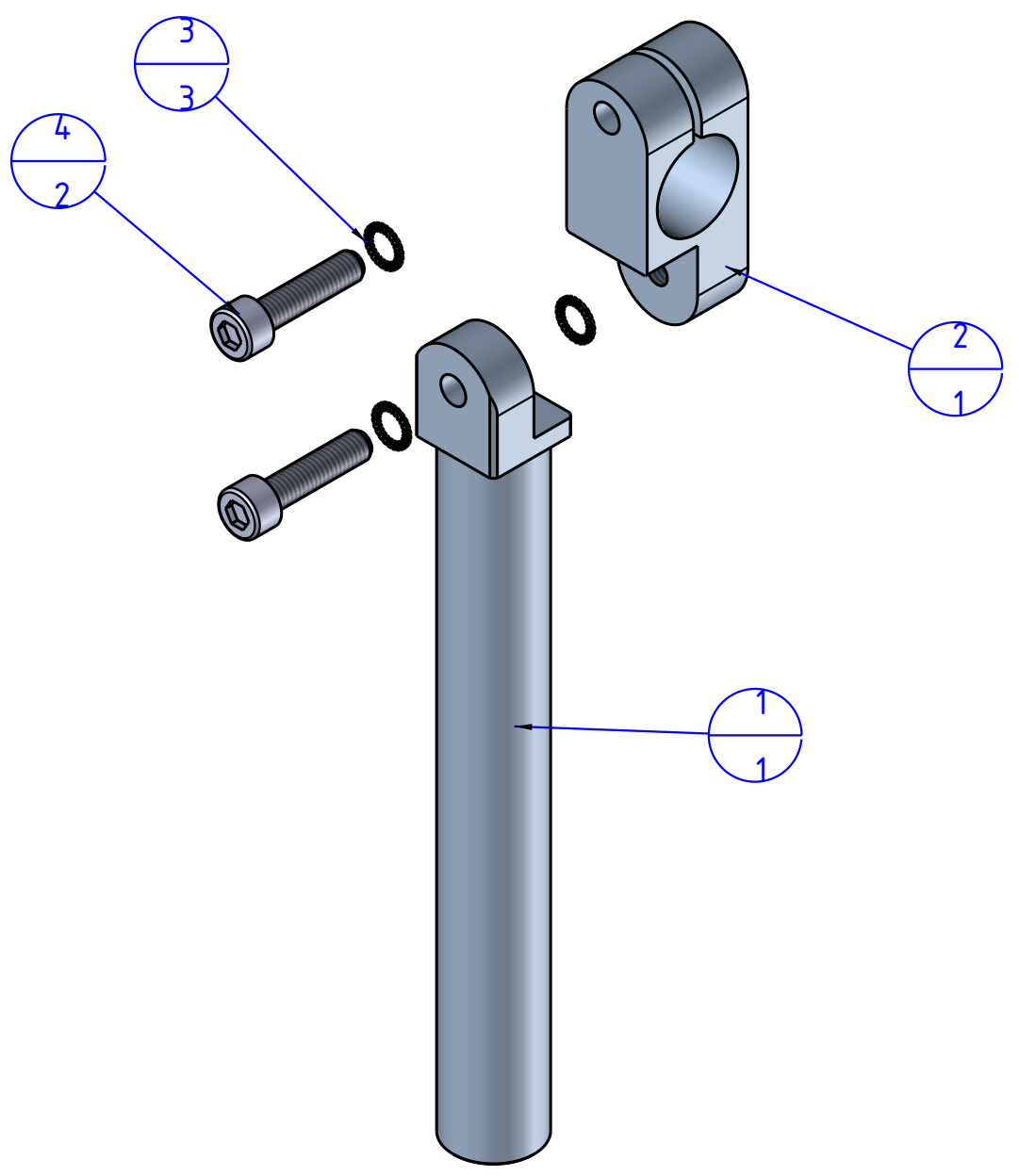



THE PROPERTY OF THE DRAWING IS ESTABLISHED BY LAW. IT IS FORBIDDEN TO PRODUCE OR SHOW IT TO THIRD PART. WITHOUT A WRITTEN AGREEMENT.

Item	Name	Q.ty
1	GLA.20.1.150	1
2	GLA.20.2	1
3	R.6.SCH	3
4	V.TCE6x25	2



Format A3  
UNI 936-76

 FPS SERVICES AUTOMATION		DESIGNED FROM		REVIEW
		FPS Automation		A
GENERAL TOLERANCE		DATE	WEIGHT	
UNI - ISO 2768		26/08/2020	0,132kg	
CLASSE f		DESCRIPTION	CODE	
		CA.GLA.2020.150	CA.GLA.2020.150	